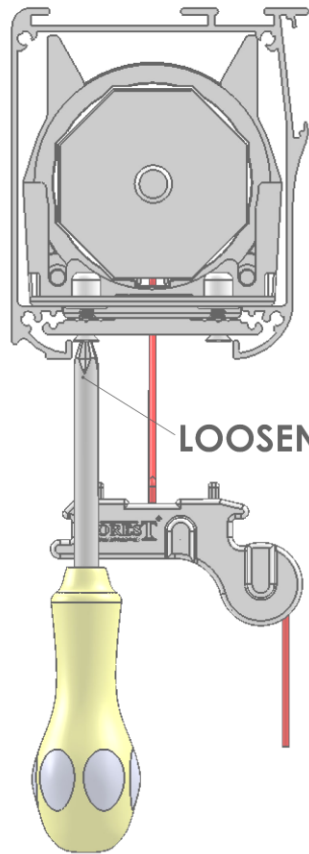
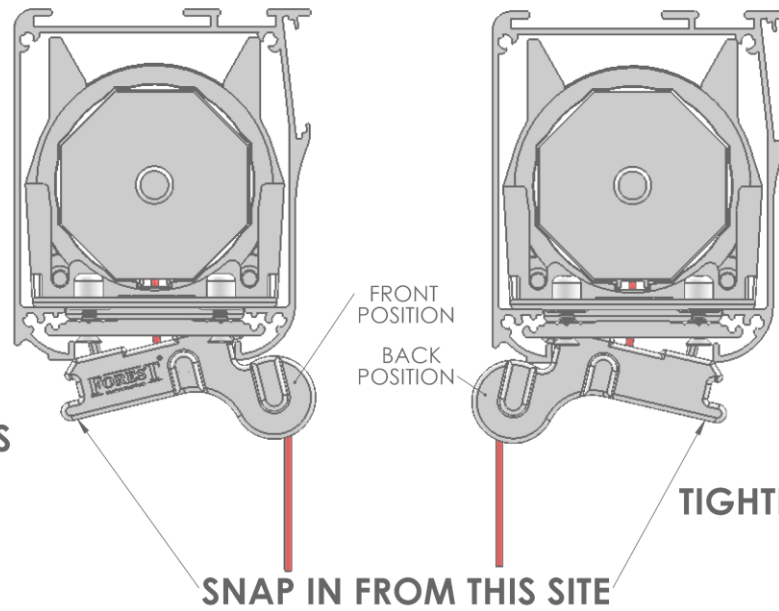


HOW TO MOUNT THE CORD EXTENDER

STAP 1



STAP 2 FRONT OR BACK POSITION



STAP 3

